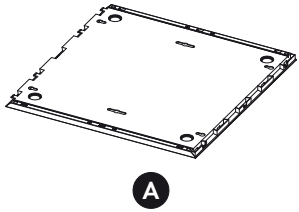
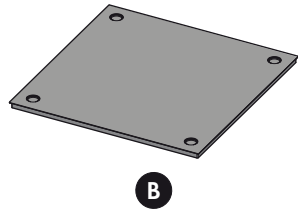


# 4 CUBE KIT INSTRUCTIONS

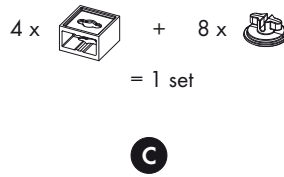
## CONTENTS



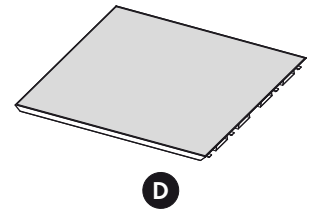
10 x panels (for interior of cube)



4 x back panels

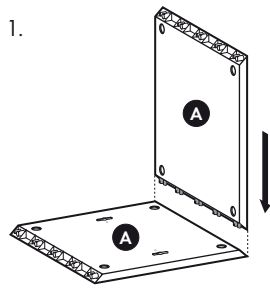


5 x connector sets (1x spare set)

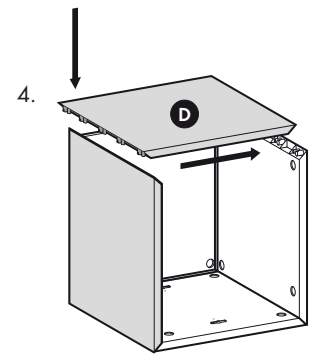
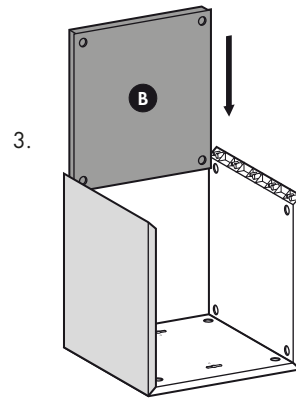
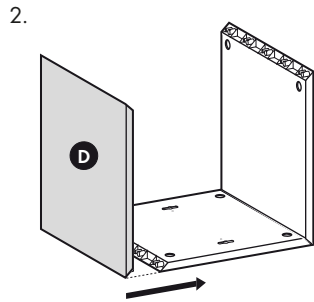


6 x décor panels (for exterior of cube)

## ASSEMBLY INSTRUCTIONS

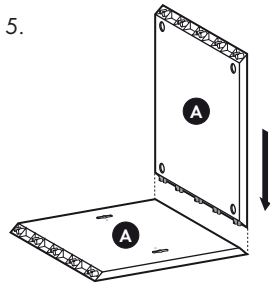


Start top cube

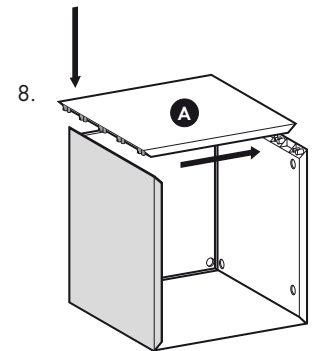
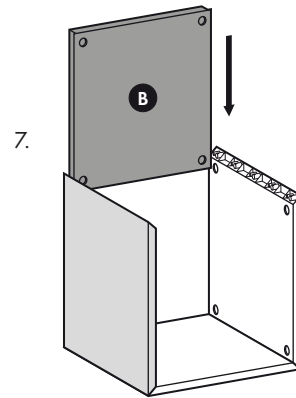
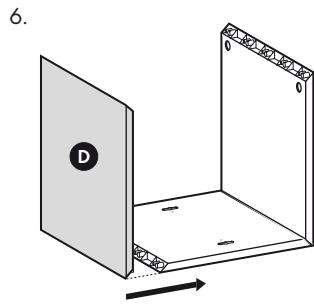


Repeat steps 1 to 4 for other top cube.

**NOTE: Interior panels Fig. 9**

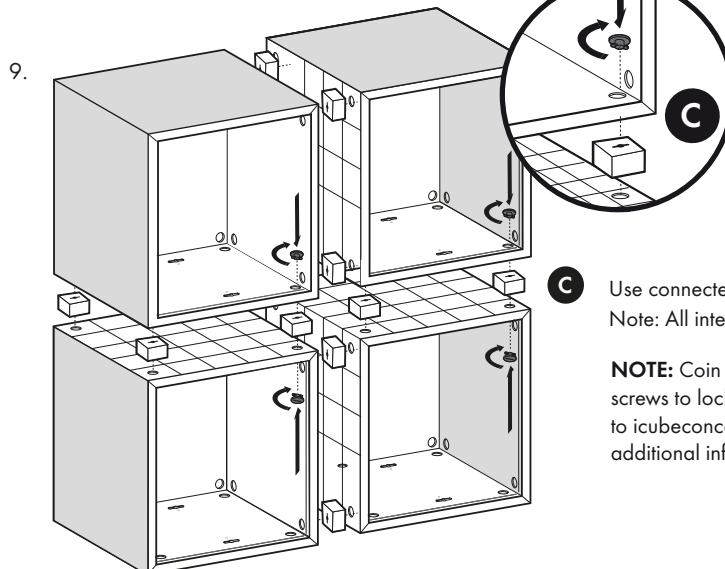


Start bottom cube



Repeat steps 1 to 4 for other bottom cube.

**NOTE: Interior panels Fig. 9**



**C** Use connector sets (C) to join cubes together  
Note: All interior panels join together

**NOTE:** Coin or similar is advised to turn screws to lock in connector sets. Refer to [icubeconcepts.com/how-it-works](http://icubeconcepts.com/how-it-works) for additional information on assembly.